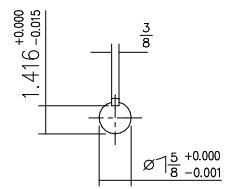
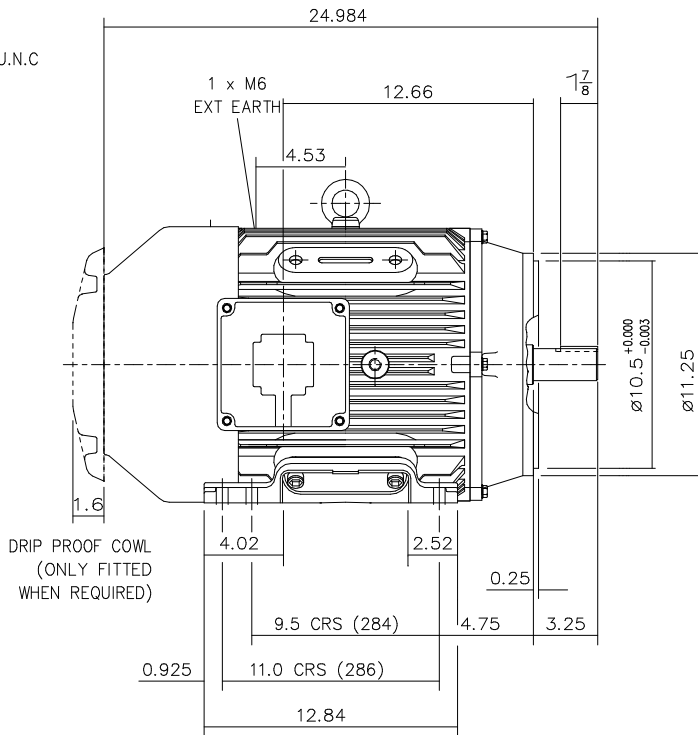
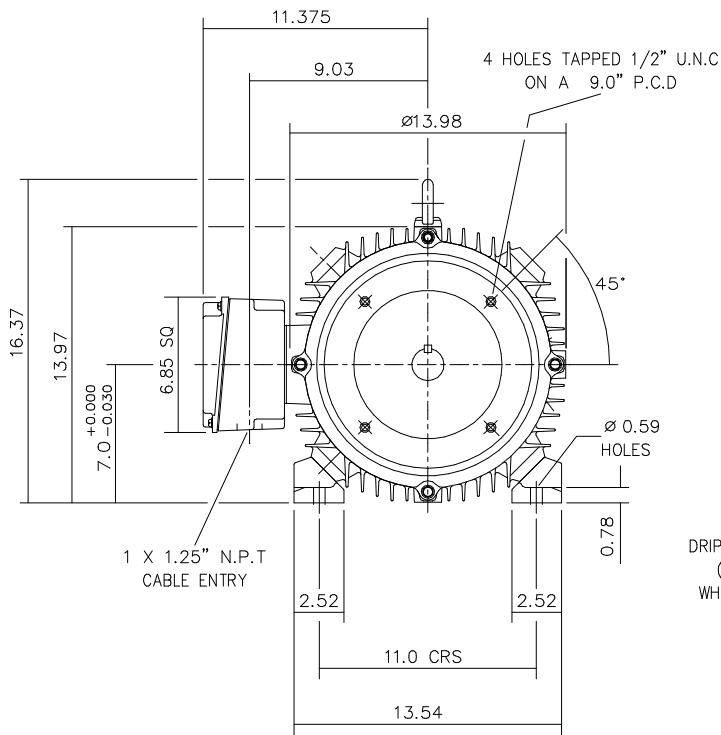


DRG. No. Y35GE003/1

DRG. REF.



VIEW ON DRIVE END
EXTENSION

DRAIN HOLES: - WHEN TERMINAL BOX IS MOVED FROM STANDARD POSITION
THEY WILL NEED TO BE PLUGGED AND RE-LOCATED ELSEWHERE - IF REQUIRED
TERMINAL BOX POSITION : - CAN BE ARRANGED AT EITHER 9, 12 OR 3 O'CLOCK
CONDUIT ENTRIES: - TERMINAL BOX CAN BE ROTATED AT 90° INTERVALS
(CONDUIT ENTRY POSITION SHOWN FOR ILLUSTRATION ONLY)

CUSTOMER		
ORDER No.		
SERIAL No.		
FRAME SIZE		
KW.	RPM.	
Hz	PHASE	
VOLTS	POLES	
BRGS.	DE.	NDE.
MOTOR NETT WT.		Kg.
SPECIAL REMARKS		

ALL DIMENSIONS IN INCHES.



BROOK CROMPTON

Huddersfield, HD1 3LJ
ENGLAND

SHEET	TITLE
A3	OUTLINE DIMENSION DRAWING W CAST IRON TOTALLY ENCLOSED FAN COOLED 284/6TS FRAME FACE WITH FEET MOUNTED MOTOR - 2 POLE

	NAME	DATE
DRAWN	RR	04-07-01
CHECKED	DH	04-07-01
SCALE	1 : 6	

DRG. No.	Y35GE003/1		
DRG. REF.			
REVISION:	VLS	DATE	16-07-02